

MANUAL English

P-series P400S, P400SC

Version 1.2 Original version supplied by the manufacturer



0. Introduction

This is the user manual for the SPS lift, equipped with wide basket, which covers the following types:

P400S, P400SC

This type of lift is based on a similar JLG model, without the prefix 'P'. The documents associated with that model continue to apply in full force and effect, unless stated otherwise in this document.

Warning:

Nothing in this publication, may be published and/or duplicated by means of printing, photocopying, microfilming or any other method, without prior written permission from the manufacturer.

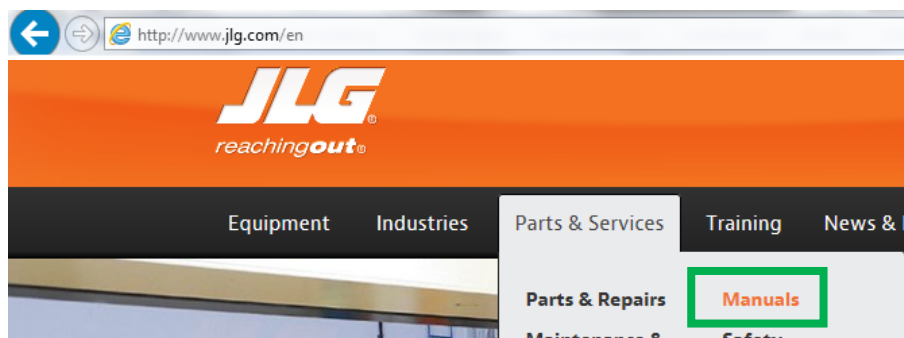
1. Contents

0.	Introduction	1
1.	Contents	2
2.	User Manual	3
2.1.	General instructions.....	3
2.2.	Retention of user manual	3
2.3.	Validity	3
2.4.	Warnings and symbols	3
3.	Machine information	4
3.1.	Main parts	4
3.2.	System and control elements	4
4.	Operation	5
4.1.	Check.....	5
4.2.	Transport	5
5.	EC Declaration of Conformity	6
6.	Parts	7
6.1.	Marking	7
6.2.	Structure	8
7.	Service Manual	10
7.1.	instructions.....	10
7.2.	Logfile	10

2. User Manual

2.1. General instructions

This user manual is intended to provide instructions for the safe and effective operation and maintenance of the machine, and possibly to remedy minor faults yourself. In order to achieve this purpose, it is absolutely necessary that all instructions in this user manual and those in the original user manual, service instructions and parts list supplied with the JLG telescopic lift are followed meticulously, having been fully understood. If these are not or are no longer available, you can download them from JLG's website.



The purpose and performance of the lift remain unchanged. In consequence, the user manual for the JLG telescopic lift is definitive, except where it is deviated from in this user manual.

2.2. Retention of user manual

Both this and the JLG telescopic lift user manual must remain constantly available to the users in order to be able to guarantee safe use of the machine. So keep this user manual in a logical place, preferably in a document box on the platform.

2.3. Validity

All the rules, provisions and instructions described in this user manual apply solely to machines that have been built and delivered by the manufacturer in the original version.

2.4. Warnings and symbols

Instructions and warnings are marked in this user manual with the following symbols:



Describes important procedures or instructions that are essential for safe operation and that, if they are not followed, could result in a defect or damage to the machine.

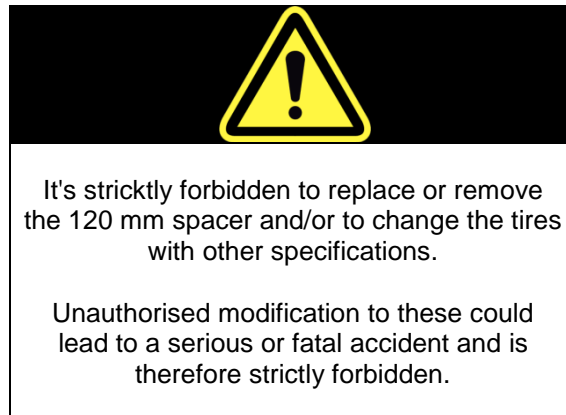


Indicates an imminently hazardous situation that, if it is not avoided, could result in serious injury or even be fatal.

3. Machine information

3.1. Main parts

The standard JLG basket (2,44 x 0,91 m) is replaced by a 4 x 0,8 m basket. The boomangle in the SPS lift is reduced from 74° to 69° by replacing the standard 66 mm spacer by a 120 mm spacer in the lift-cylinder. The SPS P400S shall be equipped with foam-filled tyres 14 x 17.5.



The safe working-load (270 kg) and the number of persons (2), are identical to the JLG lift for the complete working-envelope, including the unrestricted area. The option for high capacity (454 kg / 3 persons) is not available in the SPS lift.

3.2. System and control elements

The load selection-switch (272 kg or 454 kg) is disassembled in accordance with the picture below. (→).



4. Operation

4.1. Check

Check the basket before every use. If deformations or cracks are detected, use of the machine is prohibited. Also check the door; it shall automatical close and lock.

Check periodical (annually) the prescribed tire-size and the maximum boom-angle of 69°. Also judge is all markings, prescribed in this manual, are clearly visible.

4.2. Transport

During transport, the basket shall be positioned parallel to the boom at the left hand side. The rotation angle of the basket at the right hand side is restricted to protect the powertrack. The correct position is presented herebelow.



5. EC Declaration of Conformity

Below is a notional example of the issued EC Declaration of Conformity.

EC DECLARATION OF CONFORMITY

Manufacturer Smart Platform Solutions BV
Address Leusveld 104
 NL-2151 JX Nieuw-Vennep, the Netherlands

Machine type Mobiele hoogwerker
Model Type P400S, P400SC
Serial number -
Year of manufacturing -

Notified Body TÜV Nederland QA B.V.
EC-number 1231
Address De Waal 21C
 5684 PH, Best, Nederland
Certificate number 2400-A-665_CERT_20150715

Reference standard EN 280:2013

Smart Platform Solutions B.V. hereby declares that the above mentioned machine conforms with the requirements of

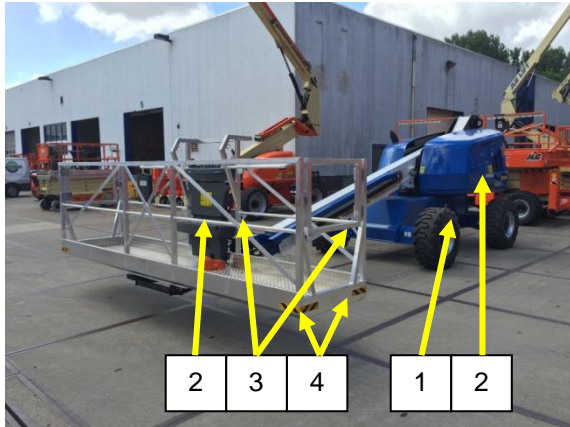
2004/108/EG EMC Directive
 2006/42/EG Machinery Directive

Remark This declaration conforms with the requirements of annex II-A of the council directive 2006/42/EG, article 12, paragraph 3b (annex X).
 Any modification to the above described machine violates the validity of this declaration.

Name E. Jansen
Position Directeur
Date -
Place Nieuw-Vennep

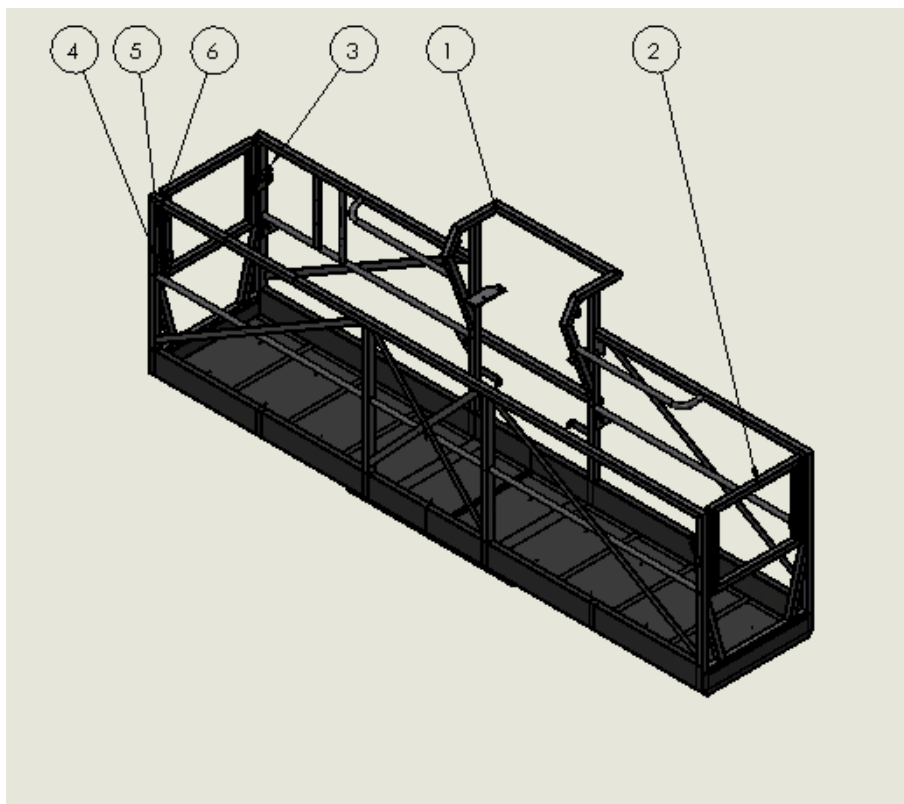
6. Parts

6.1. Marking

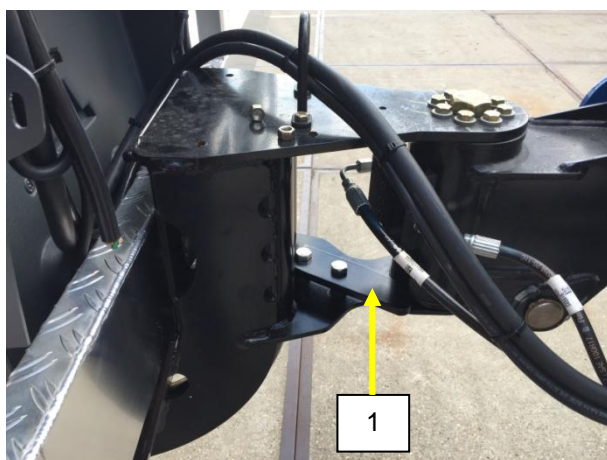


Item#	p/n	Example	Qty.	Machines	Position
1	08007001		1	All	Chassis; middle-left
2	04007002		2	All	Cover upper-control and hood lower-control
3	04007003		4	All	Fall-restraint points
4	04007006		4	All	Platform corners

6.2. Structure



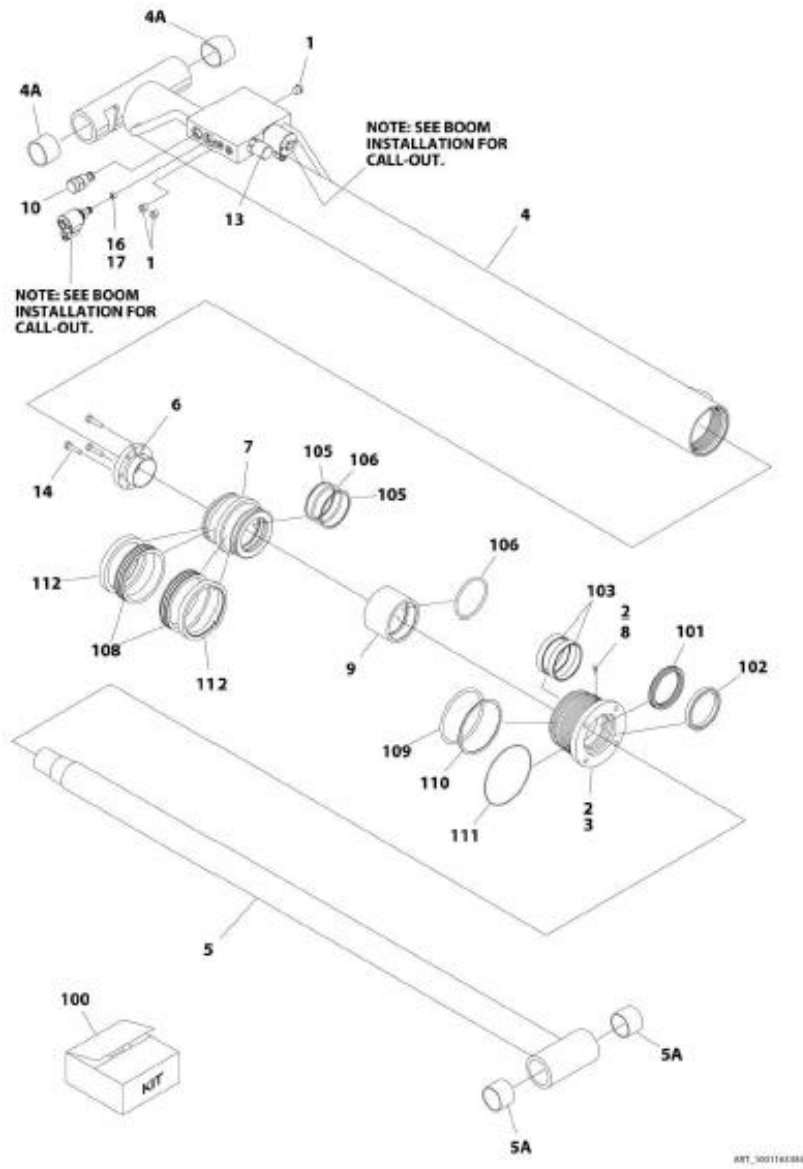
7	4	48003000	deuschamier281131 2001
6	32	ISO 4017 - M5 x 12-N	
5	32	Spring washer DIN 128 - A5	
4	32	Washer DIN 125 - A 5.3	
3	2	Indexing_plunger_GN_617-10-AK-NI_closed_3_2_03	
2	2	48002000	deur - sam.
1	1	48001100	werkbak lassamenstelling
ITEM NO.	QTY.	PART NUMBER	tekeningnaam



item#	p/n	description	Qty.
1	48000002	Restrictor platformrotation	1

SECTION 6 - CYLINDER

FIGURE 6-3. LIFT CYLINDER ASSEMBLY - MAIN BOOM (SN 0300203771 through 0300204034)



316

400S-460SJ

3121672

item#	p/n	description	Qty.
9	48000001	Spacer 120	1

7. Service Manual

7.1. instructions

No specific instructions in regard to this product.

7.2. Logfile

Herebelow, the results of (periodical) inspection, examination, maintenance and repair shall be logged.

Date	Responsible person	Results

Date	Responsible person	Results

Date	Responsible person	Results

Date	Responsible person	Results

